



Bone & Metabolic Health

Lunar iDXATM from GE Healthcare

Exceptional Precision
and Accuracy

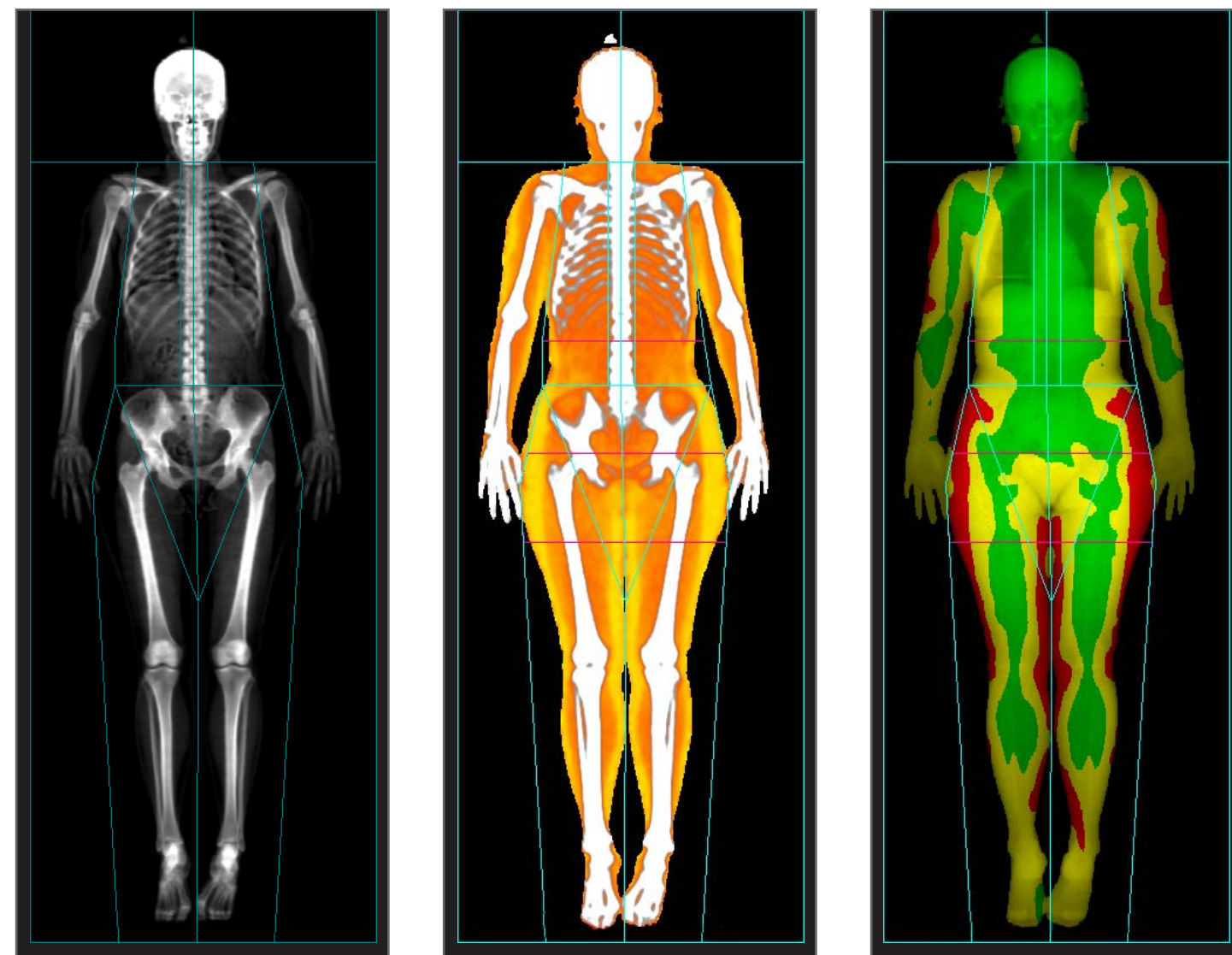
gehealthcare.com/bmh

Advanced DXA technology for bone and metabolic health assessment

Lunar iDXA offers excellent image resolution and clarity with exacting precision, designed to provide you a high degree of clinical confidence across all body types for bone health and body composition.



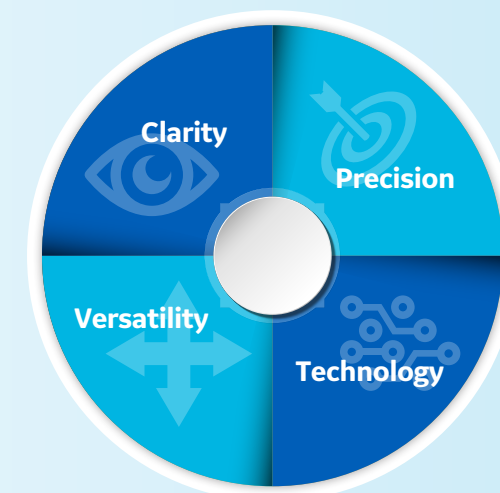
Advanced Insights into Bone and Metabolic Health



See More. Know More.

Research-grade analysis helps you manage patients with confidence.

In your search for answers to a patient's health concerns, information is everything. And with Lunar iDXA, GE Healthcare offers our most advanced system to provide the data and images you need. Whether you're assessing bone density, fracture risk, metabolic health, pediatric development or sarcopenia, Lunar iDXA gives you a clear view inside the body.

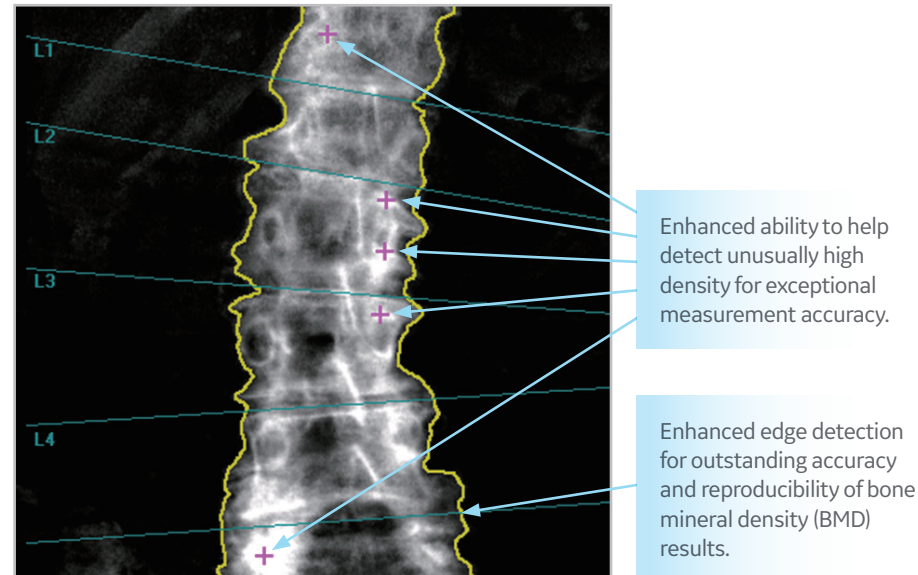


Lunar iDXA for Bone Health

Exceptional clarity.

One in four women over the age of 50 will suffer a vertebral fracture in her remaining lifetime, with severe impact on quality of life.¹

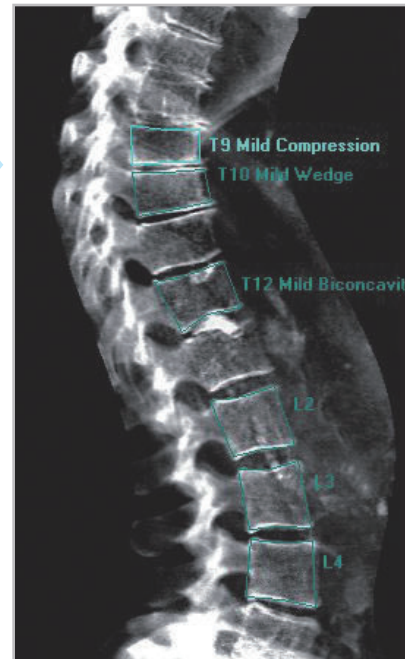
Its vertebral assessment is comparable to radiographs in identifying and classifying deformities concerning etiology, grade, and shape,¹ while using a lower dose of radiation.



High-resolution images bring anatomy into focus.

Lunar iDXA delivers crisp, high resolution images that clearly render the end plates on spine images and identify intervertebral spaces. See proximal femur details, visualize cortical thickness, and view high quality total body images.

Lunar iDXA helps you detect a variety of asymptomatic compression fractures.



See vertebral bodies clearly with dual-energy soft tissue subtraction.

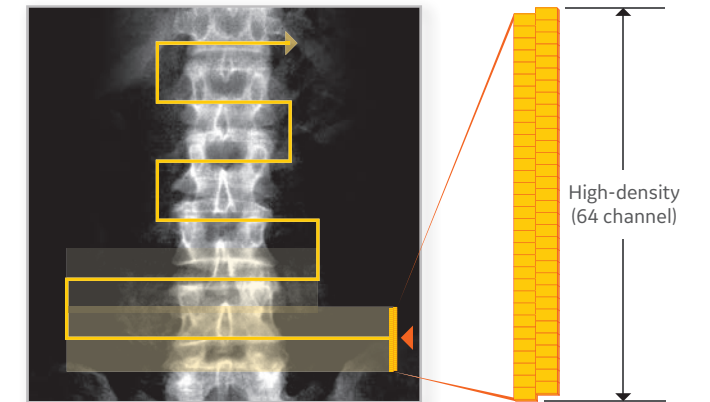
Performance comparison of DXA beam types

	Pencil Beam	Narrow Fan Beam	Wide Fan Beam
Scan time	Long	Short	Short
Bone height measured	No	Yes	No
Magnification effects	No	No	Yes
Off-center distortions	No	No	Yes
Scattered radiation	Lowest	Low	High

Detect small changes nearly twice as fast.*

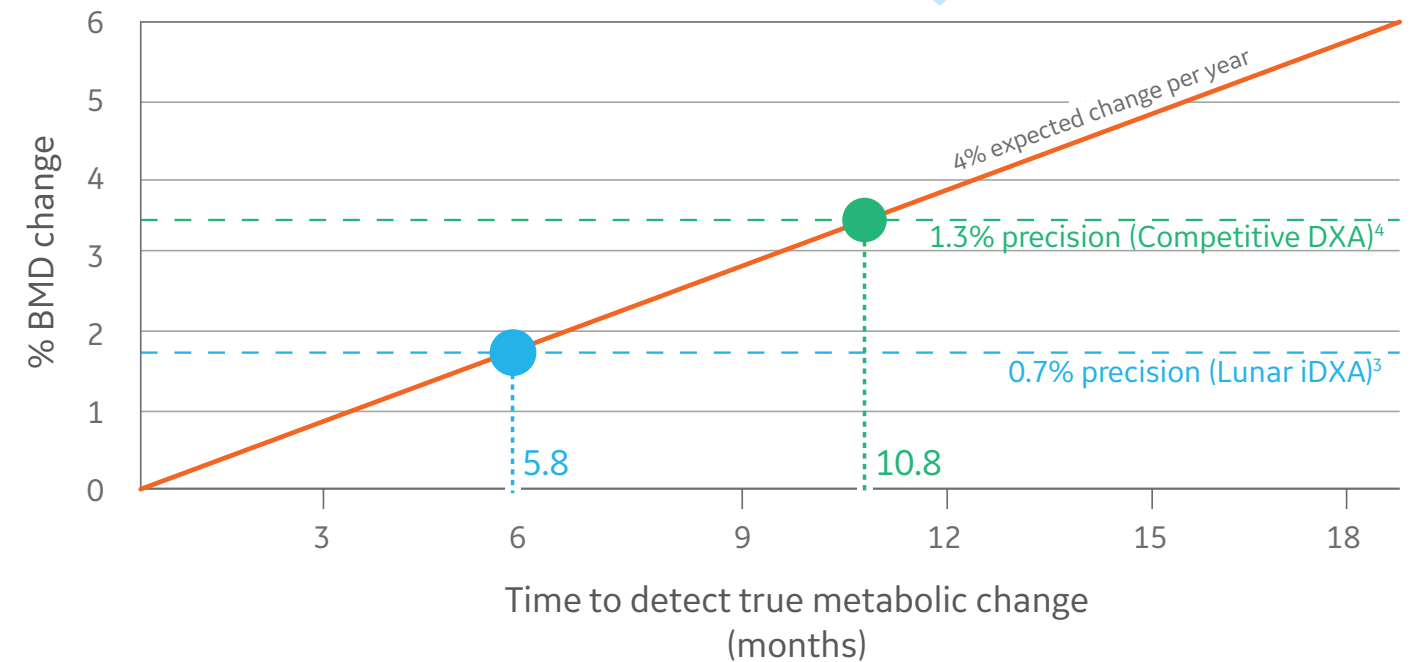
Osteoporosis treatment and other clinical interventions require time to monitor. Lunar iDXA helps with exceptional precision, due to its direct-to-digital detector plus staggered array and narrow-angle fan beam technology with Multi-View Image Reconstruction (MVIR). This prevents magnification error that is present in competitive wide-angle fan beam systems.²

What's all this precision worth to you? It enables you to detect statistically significant changes sooner, which can help motivate patient compliance, guide treatment decisions and reduce sample size required for clinical trials.



Direct-to-digital detector plus staggered array enhance precision and create high-resolution images.

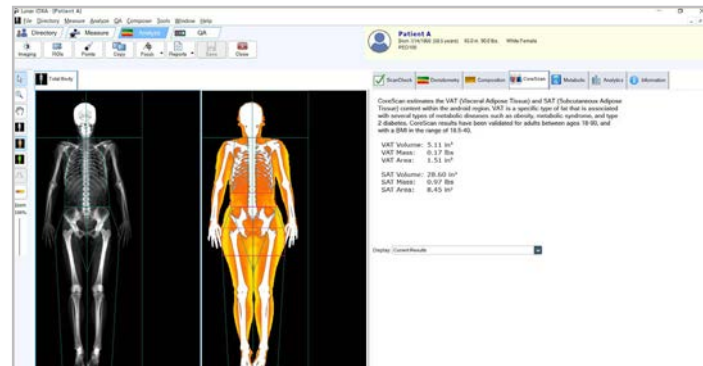
*In this example, analysis shows that precision with Lunar iDXA allows clinicians to detect true metabolic change as early as 5.8 months, compared with 10.8 months for competitive equipment (95% confidence).^{3,4}



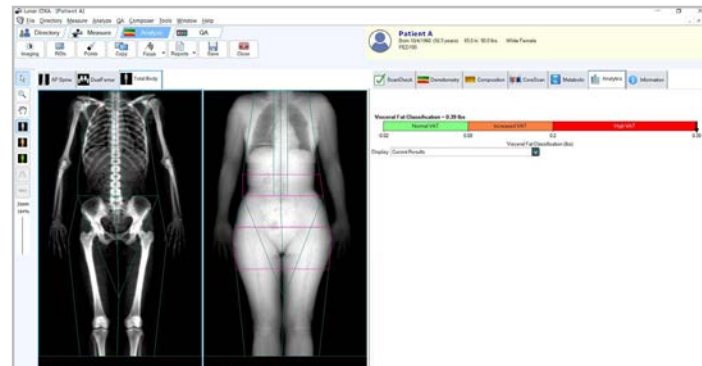
Lunar iDXA for Metabolic Health

Visualization Tools

Advanced visualization tools help patients understand impact of diet, lifestyle and exercise on their health and athletic performance. Utilize color coding for an effective visualization of lean, fat and bone distribution from a total body scan. Our color mapping tool enables you to set custom thresholds for viewing fat and lean mass.



Newly Available: VAT Area and SAT Results



Body Composition Insights using VAT Customizable Thresholds

Advanced Metabolic Insights

- Total Body Composition
- RMR, RSMI, BMC, fat and lean trending
- Sarcopenia⁵
- Custom Reference Population
- Option to Integrate Hydration Levels from BIA/BIS (TBW, ECW, ICW) to have 5 compartment models (LM, FM, BMC, ECW, ICW) and more

Higher precision enables best estimate of Appendicular Lean Mass (ALM) for effective assessment of sarcopenia.



Fully Customizable Reports

GE Healthcare
3030 Ohmeda Drive
Madison, WI 53718
Phone: 608 221-1551

Bone Densitometry Report: Monday, February 18, 2013

Referring Physician: Dr. Phlox

PATIENT:

Name: #####
 Patient ID: ##### Birth Date: ##### Height: #####
 Sex: ##### Measured: ##### Weight: #####
 Indications: Low Calcium Intake Fractures: ##### Treatments: #####

ASSESSMENT:

The BMD measured at Femur Total Left is 0.928 g/cm² with a T-score of -0.6. Bone density is up to 10% below young normal. This patient is considered normal according to World Health Organization (WHO) criteria. With a Z-score of -0.1, this patient's BMD is within normal limits for their age and sex, even though bone loss may have occurred.

Site	Region	Measured Date	Measured Age	WHO Classification	Young-Adult T-score	BMD (g/cm ²)
DualFemur	Total Left	###	###	Normal	-0.6	0.928

World Health Organization (WHO) criteria for post-menopausal, Caucasian Women:
 Normal: T-score at or above -1 SD
 Osteopenia: T-score between -1 and -2.5 SD
 Osteoporosis: T-score at or below -2.5 SD

RECOMMENDATION:

All patients should ensure an adequate intake of dietary calcium and vitamin D. The NOF recommends adults under age 50 need 1,000 mg of calcium and 400-800 IU of vitamin D daily. Adults 50 and over need 1,200 mg of calcium and 800-1,000 IU of vitamin D daily. Effective therapies for the prevention of osteoporosis include bisphosphonates (Fosamax and Actonel) and Evista. Hormone therapy may be an option based on review of risks and benefits of treatment.

FOLLOW-UP:

People with diagnosed cases of osteoporosis or at high risk for fracture should have regular bone mineral density tests. For patients eligible for Medicare, routine testing is allowed once every 2 years. The testing frequency can be increased to one year for patients who have rapidly progressing disease, those who are receiving or discontinuing medical therapy to restore bone mass, or have additional risk factors.

Based on these results, a follow-up exam is recommended in ###

Page: 1 of 3
7

GE Healthcare
3030 Ohmeda Drive, Madison, WI 53718
Phone: 608 221-1551

Patient: #####
 Birth Date: #####
 Height: #####
 Sex: #####

Age: #####
 Weight: #####
 Ethnicity: #####

Referring Physician: Dr. Phlox
 Patient ID: #####
 Measured: ##### (10.00)
 Analyzed: ##### (15.00)

USA (Combined NHANES/Lunar) AP Spine L1-L4 (BMD)

USA (Combined NHANES/Lunar) DualFemur: Total (BMD)

Region	BMD (g/cm ²)	Young-Adult T-score	Age-Matched Z-score	WHO Classification
AP Spine L1-L4	1.325	1.2	1.7	Normal
DualFemur				
Total Left	0.928	-0.6	-0.1	Normal
Total Right	0.970	-0.3	0.2	Normal
Total Mean	0.949	-0.5	0.1	Normal
Total DXF	0.942	0.3		N/A

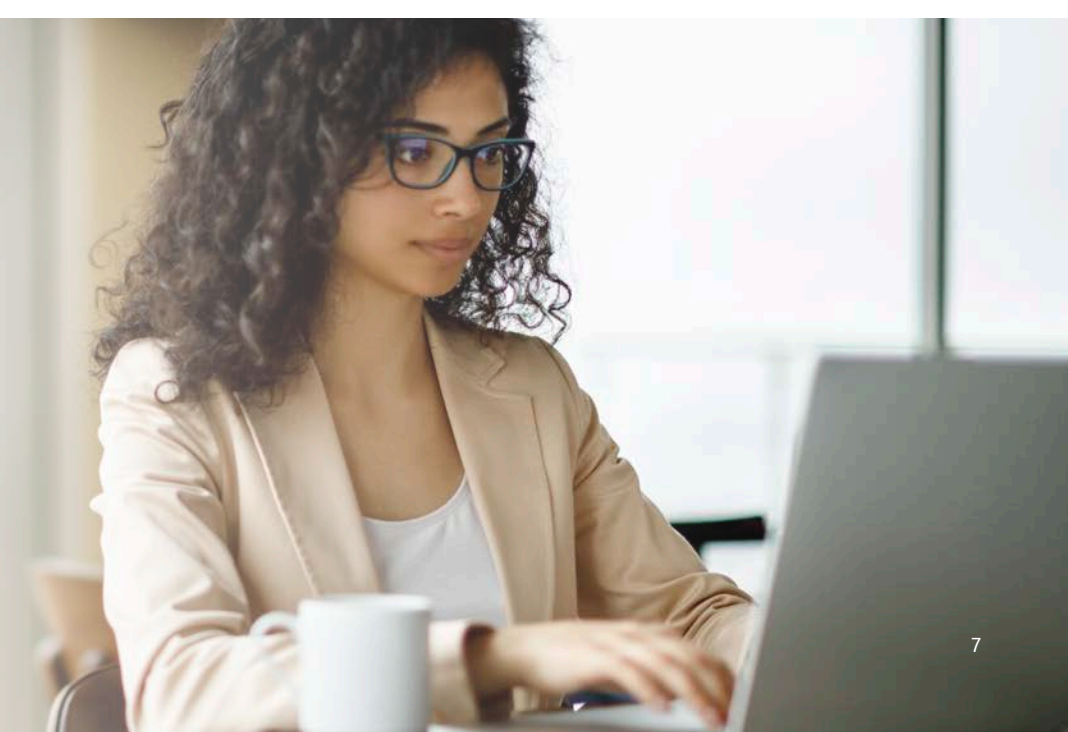
Statistically 98% of repeat scans fall within 2SD (± 0.020 g/cm²) for AP Spine L1-L4 (± 0.020 g/cm²) for DualFemur Total; USA (Combined NHANES (ages 20-80) / Lunar (ages 20-80)) AP Spine Reference Population (121); USA (Combined NHANES (ages 20-80) / Lunar (ages 20-80)) DualFemur Reference Population (121); AP Spine Matched for Age, Weight (range: 20-200 kg); Ethnic: DualFemur Matched for Age, Weight (range: 20-200 kg); Ethnic: DualFemur Total T-score difference is 0.3; Asymmetry is None; World Health Organization - Definition of Osteoporosis and Osteopenia for Caucasian Women; Normal = T-score at or above -1.0 SD; Osteopenia = T-score between -1.0 and -2.5 SD; Osteoporosis = T-score at or below -2.5 SD; WHO definitions only apply when a young healthy Caucasian Women reference database is used to determine T-scores.

Date created: 02/18/2013 1:27:27 PM (15.00); File name: #####; AP Spine: 2002.50.50.005.0.007.74.0.306.27.36.0784-8.20; 0.001000.0000.00; Scan Mode Standard; 146.0 µJ; Left Femur: 300.50.50.004.0.0013.2.0.300.25.14.9.9.14.10.10.0000.00; Neck Angle (deg): 18; Scan Mode Standard; 146.0 µJ; Right Femur: 300.2.50.50.004.0.0013.2.15.7.9.14-13.9%; 0.001000.0000.00; Neck Angle (deg): 55; Scan Mode Standard; 146.0 µJ

Page: 1 of 1
Lunar iDXA
ME+999999

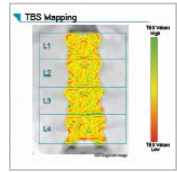
Fully customizable reports can be made as concise or as detailed as needed.

OneScan performs spine and dual femur BMD measurements in a single acquisition without repositioning.⁶ Results print in a one-page report.



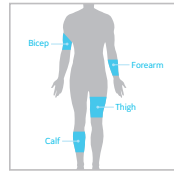
A Few of our Newest Applications

A wide breadth of applications and features



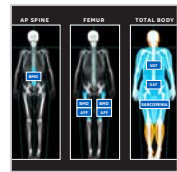
Trabecular Bone Score - Integrated TBS

Provides TBS score based on assessment of trabecular region of bone, including FRAX-adjusted TBS. Includes TBS license. Complimentary 60-day TBS software trial program available for new TBS customers.



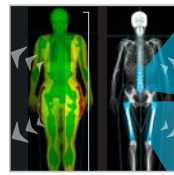
Smaller Body Composition (Regions of Interest)¹⁰

Monitor and report on Regions of Interest (ROI) including upper arm, lower arm, upper leg and lower leg, to study changes in body composition in these regions.



DXAVision™

Provides one unified workflow and comprehensive reporting for BMD, AFF, VAT and SAT.⁷ Designed to improve operator efficiency with a scan time up to 40% faster.⁸ Includes Total Body and Smaller Body (ROI) Composition, Total Body Less Head (TBLH) and Neck-to-Knee for Adults.



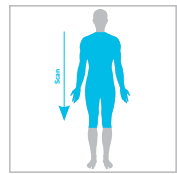
Advanced Analytics

Provides deep BMD and Body Composition insights with custom equations, metrics and ratios based on 200+ DXA bone and body composition parameters. User-defined classification thresholds, trending and reporting.



Customizable Thresholds (AFF and VAT)^{12,13,14}

Enables setting of custom thresholds to search for correlations: between "beaking" and the probability of AFF, and between VAT and the probability of metabolic disorders.



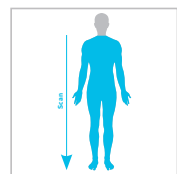
Neck-to-Knee for Adults⁹

Performs a faster scan by omitting head and lower legs, providing an estimate of total body composition.



Composer Reporting

Provides default style sheets, which can be edited using an intuitive WYSIWYG interface to quickly produce customized reports and templates.



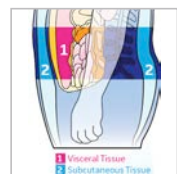
Total Body Less Head (TBLH) for Adults¹⁰

Including the skull can mask changes occurring in other areas of the skeleton; this tool automatically performs a scan from the neck down. Can also get TBLH results for scans with the head included.



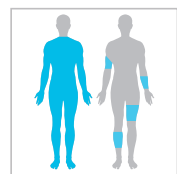
Advanced Security (DoD RMF)

Advanced cybersecurity features that meet U.S. Department of Defense Risk Management (DoD RMF) requirements.



CoreScan with VAT and SAT Results¹¹

CoreScan estimates Visceral and Subcutaneous Adipose Tissue (VAT and SAT) mass, volume and area within the android region. Values can be displayed in user-defined statistical formats and trends.



Sports Athletics Package

Includes TBLH (Total Body Less Head) for Adults and Smaller Body Comp - ROI to easily scan and report on specific Regions of Interest. Facilitates study of localized changes in body composition.

Advanced Analytics Power Deeper Insights

Create your own custom equations and ratios

Analyze data within your DXA: create custom ratios, make predictions, and pin metrics pinned on the built-in dashboard to track changes over time.

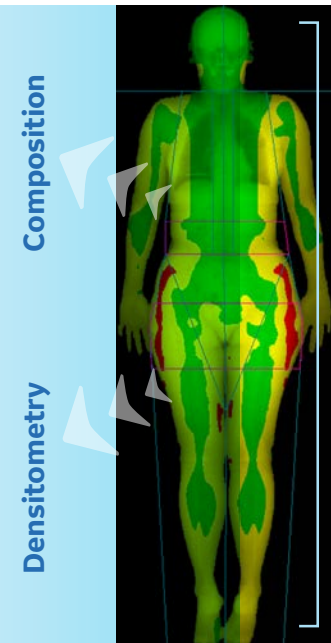
MORE THAN 200 BONE AND BODY COMPOSITION PARAMETERS FOR ANALYSIS.

$$\text{Sample Metric} = \text{VAT Mass} / \text{Total Fat Mass}$$

BODY COMPOSITION ANALYTICS

DXA Parameters	Regions
BMC	Left Arm
Fat Free Mass	Right Arm
Fat Mass	Android
Lean Mass	Gynoid
Region %Fat	VAT
Tissue %Fat	SAT
Tissue Mass	Total Body
Total Mass	TBLH
	much more

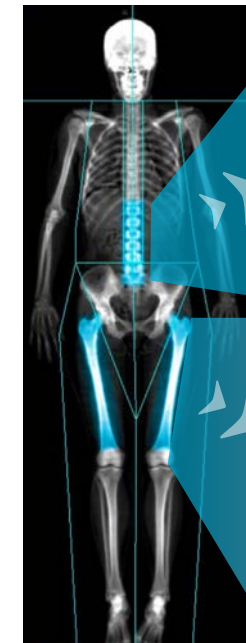
DXA Parameters	Regions
Area	Left Arm
BMC	Right Arm
BMD	Android
BMD %AM	Gynoid
BMD %YA	VAT
BMD T-Score	SAT
BMD Z-Score	Total Body
	TBLH
	much more



BONE ANALYTICS - VARIOUS SKELETAL SITES

Regions	DXA Parameters
L1	Area
L2	BMD
L3	BMC
L4	BMD %AM
L1-L2	BMD %YA
L1-L4	BMD T-Score
etc.	BMD Z-Score

Regions	DXA Parameters
Neck	AFF Beaking Index
Trochanter	Area
Shaft	BMD
Total	BMC
etc.	BMD %AM
	BMD %YA
	BMD T-Score
	BMD Z-Score



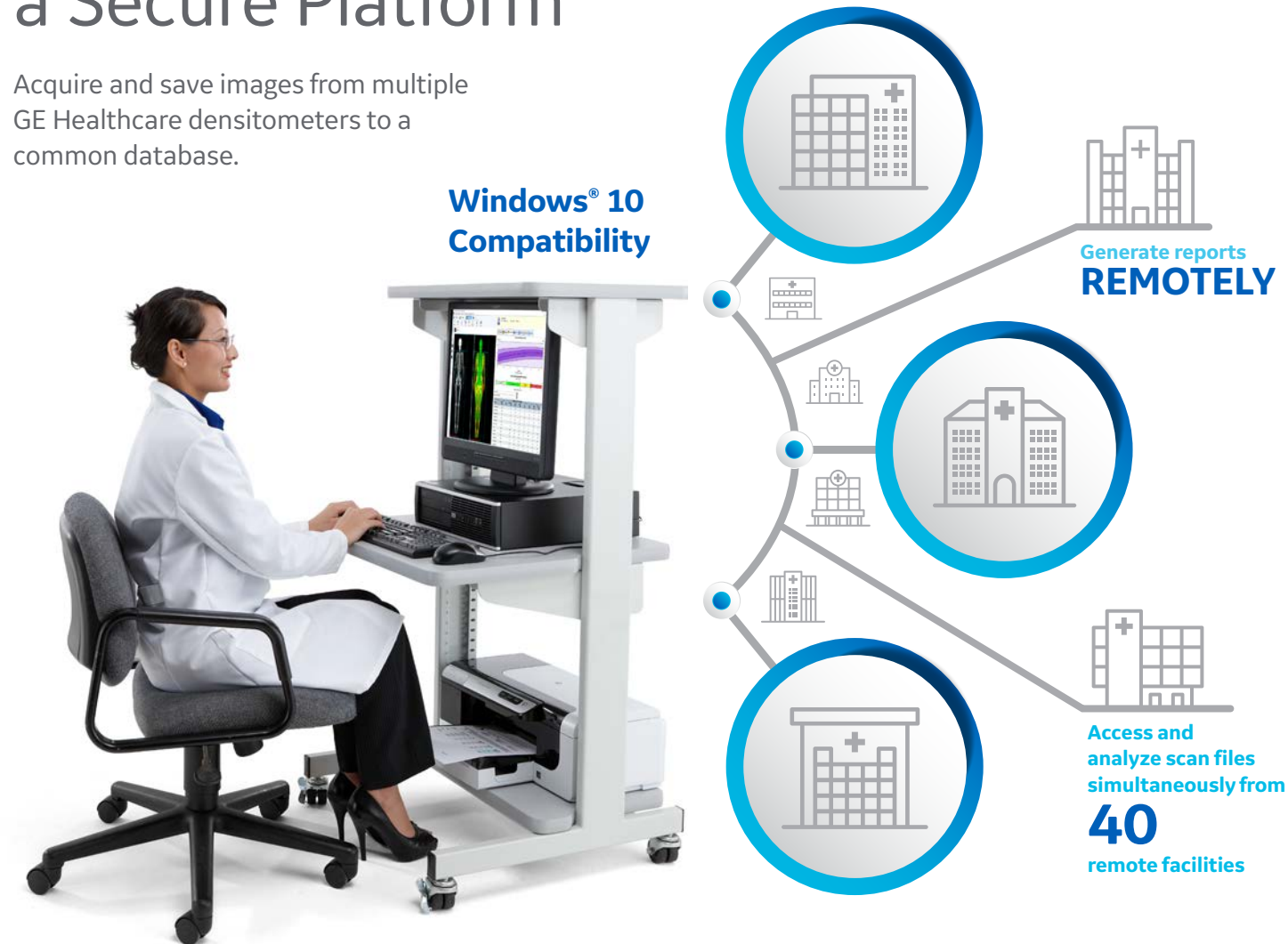
Note: Some parameters may require purchase of additional features.

Custom Regions of Interest (ROI) can also be used with Advanced Analytics feature. Metrics and trending can be retrospectively performed on past data as well.



Multi-User Database with a Secure Platform

Acquire and save images from multiple GE Healthcare densitometers to a common database.



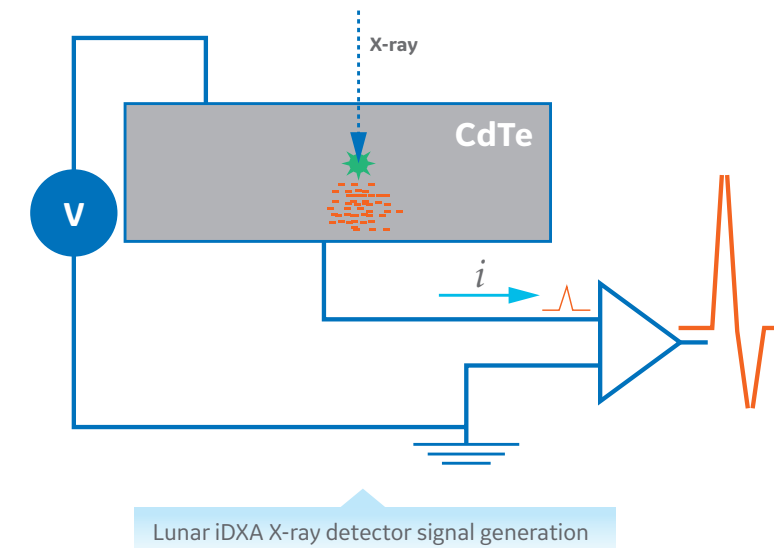
Advanced security features protect your data.

Security Feature	Provided Benefit
IPv6 for DICOM and HL7	Communication protocol integrating IPSec for better security during data exchange
FIPS 140-2 Encryption	Federally compliant encryption standard that protects patient exam files using 256-bit encryption
Audit Trails	Logs information related to: <ul style="list-style-type: none"> • Software configuration and user access changes, destination IP addresses • Database events including authentication, patient modification/deletion • Events supported by the DICOM Audit Trail Profile
TLS for DICOM®	Provides security at the transport layer of a DICOM transaction by using encryption and node authentication. TLS is an updated, more secure, version of the SSL protocol.

Advanced Technology. Incredible Results.

Lunar iDXA uses innovative photon-counting detector technology that provides near-radiographic image quality.

These detectors utilize solid-state Cadmium Telluride (CdTe) crystals to absorb the x-ray energy, which immediately release electrons from their atoms (i.e. direct conversion). An applied voltages pushes the electrons out of the CdTe crystal, effectively creating a current pulse with a magnitude proportional to the x-ray energy. The signal is boosted and finally identified as low or high energy.



Patented Narrow Fan Beam Scan

Combining the features of pencil beams and wide fan beams, Narrow Fan Beam technology offers a short scan time with reduced magnification error (inherent to wide-angle fan beam scans).¹⁵

Low-Dose Photon Counting Technology

Dose-efficient photon counting detector technology lowers dosage to the patient.¹⁵

Innovative SmartScan™

Our SmartScan technology reduces scan time and X-ray dosage by identifying bone regions after each transverse sweep and estimating where to begin scanning on the subsequent sweep.¹⁶

K-edge Filter

An exceptional “K-edge filter” that creates a dual energy beam and absorbs the X-rays in the middle energy range and protects the patient against unnecessary exposure.

Multi-View Image Reconstruction (MVIR)

By performing multiple transverse sweeps across the site of interest, MVIR accurately determines bone-height above the tabletop, minimizes magnification errors and provides excellent precision and accuracy.

Low Scattered Radiation

Narrow-fan beam technology results in low scatter radiation in comparison to wide-angle fan beam systems.¹⁷

CLINICAL APPLICATION

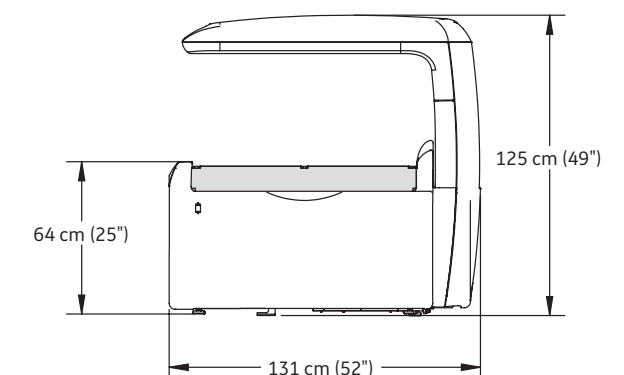
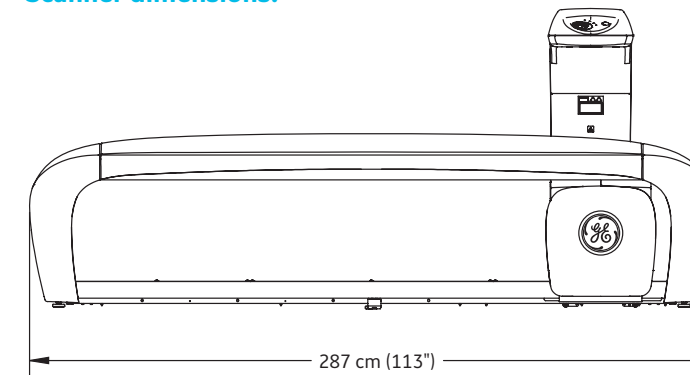
✓ Standard ● Optional ✕ Not Available	Lunar iDXA with Pro SW Package	Lunar iDXA with Advance SW Package
AP Spine	✓	✓
Femur/Dual Femur	✓	✓
Forearm/Non-seated Forearm	✓	✓
Total Body BMD	✓	✓
FRAX® Fracture Risk Tool ⁵	✓	✓
DVO Fracture Risk Tool ¹⁸	✓	✓
Multi-User Database (1-3)	✓	✓
ScanCheck	✓	✓
Practice Management	✓	✓
Composer	✓	✓
OneScan	✓	✓
OneVision	✓	✓
Pediatric – AP Spine	✓	✓
Pediatric – Femur	✓	✓
Pediatric – TB (Birth to 20 YO)	✓	✓
Total Body Comp	✓	✓
CoreScan ⁵	✓	✓
Quick View	✓	✓
DVA (Includes: LVA, APVA, Lateral BMD)	●	✓
Advanced Body Comp ¹⁹	●	✓
Orthopedic Hip	●	✓
Advanced Hip Analysis	●	✓
Orthopedic Knee	●	✓
Hand	●	✓
Multi-User Database (Up to 40)	●	✓
Spine Geometry	●	✓
Atypical Femur Fracture	●	●
Sarcopenia ⁵	●	●
Small Animal	●	●

NEW V18 APPLICATIONS

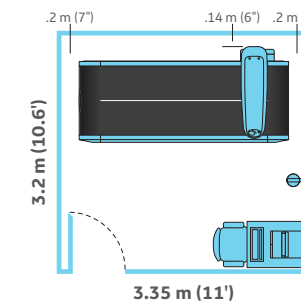
Integrated TBS	●	●
DXAVision™	●	●
Sports Athletics Package	●	●
Advanced Analytics Full	●	●
Advanced Analytics Bone	●	●
Advanced Analytics Body Comp	●	●

Specifications

Scanner dimensions:



Minimum room dimensions²⁰:



The Lunar iDXA is designed to have minimal impact in both installation requirements and operating space. The Lunar iDXA is shown in a 3.35 m x 3.2 m exam room with the included workstation. No operator shielding or special site preparation beyond a dedicated 100-127/200-240 VAC duplex outlet is usually required.²¹ Place outlet near the desired location of the operator's console.

Scanner table specifications:

Scanner size 2.87 m x 1.31 m x 1.25 m (113" x 52" x 49")
 Scanner weight 353 kg (778 lbs)
 Patient table top height 64 cm (25")
 Maximum patient weight supported 227 kg (500 lbs)
 Drive system stepper motor with reinforced drive belts
 Active scan area 198 cm x 66 cm
 Start position indicator cross laser light (class II, <1 mW power)
 Pad washable patient mat, includes paper roll dispenser
 Attenuation of patient support table <1.2 mm AL
 Communication cable Ethernet
 Scanner leakage current meets IEC 60601-1 safety standard

Connectivity:

- Teledensitometry²²
- DICOM® interface
- HL7 interface
- SQL Server

Detector specifications:

Detector high-definition, direct-digital detector

Computer specifications:

- Intel® Core™ i3 Processor
- Windows® 10 IoT Enterprise 64-bit
- RAM 8 GB
- Hard drive 1 TB
- Optical drive DVD-RW
- Monitor 24" SVGA (minimum resolution 1920 x 1080 32-bit color)
- Archive 500 GB USB hard drive
- Adobe® Reader® DC
- Internet Explorer® 11
- Two 10/100 Mbit Ethernet ports
- Windows®-compatible printer

Environmental specifications:

Power 100-127 VAC 50/60Hz 20A dedicated circuit
 200-240 VAC 50/60Hz 10A dedicated circuit
 Consumption idling 40VA, scanning 525VA
 Distortion sinusoidal waveform, less than 5% THD
 Humidity 20%-80% non-condensing
 Room temperature 18°C-27°C (65°F-81°F)
 Scanner heat output idling 150 BTU/hr, scanning 1800 BTU/hr
 Console heat output approx. 200 BTU/hr with 24" monitor
 Ventilation all cooling vents must remain unblocked
 Dust, fumes, debris install system in clean, ventilated area



References:

1. Armbrrecht G, Felsenberg D. Diagnostic of vertebral deformities: Comparison of VFA (GE iDXA) to conventional radiographs. ASBMR 2009.
2. IDXA precision (Total Femur BMD). Ergun DL, Wacker WK, Zhou QQ, et al. Performance of the Lunar iDXA. Presented at the 17th International.
3. IDXA precision (Total Femur BMD). Ergun DL, Wacker WK, Zhou QQ, et al. Performance of the Lunar iDXA. Presented at the 17th International Bone Densitometry Workshop, Kyoto, Japan, November 2006.
4. Hologic Delphi precision (Total Left Hip BMD). Shepherd JA, Fan B, Lu Y, et al. Comparison of BMD precision for Prodigy and Delphi spine and femur scans. Osteoporos Int. 2006;17:1303-1308.
5. Not available in Japan.
6. S.M. Hunt et al, "Changing Bone Densitometers in Clinical Practice: Effect on Precision Error", Presented at the American Society for Bone and Mineral Research Annual Meeting, September 23-27, 2005, Nashville, TN, USA.
7. Requires purchase of AFF application and Corescan (for VAT and SAT) application.
8. Data on file with GE Healthcare, April 2019.
9. Requires DXAVision.
10. Requires DXAVision or Sports Athletics Package.
11. Not available in Japan.
12. Requires Advance Analytics.
13. Customizable Threshold for AFF requires AFF Application.
14. Customizable Threshold for VAT requires CoreScan application.
15. Data on file with GE Healthcare DOC2394474.
16. Data on file with GE Healthcare, March 2019.
17. Data on file with GE Healthcare, January 2017.
18. German speaking countries only.
19. Bone-Lean-Tissue Color Coding, Metabolic Results (ICW, ECW, TBW), Resting Metabolic Rate, Composer Style Sheets – Body Sports Medicine Segmental, Body Patient Weight Loss.
20. A small room kit with isolation transformer may be required. Please refer to local regulations.
21. Consult and follow local X-ray regulations.
22. Additional hardware may be required for fax capabilities.



© 2020 General Electric Company – All rights reserved.

GE Healthcare reserves the right to make changes in specifications and features shown herein, or discontinue the product described at any time without notice or obligation. Contact your GE Healthcare representative for the most current information. GE, the GE Monogram, imagination at work, CoreScan, SmartScan, and Lunar iDXA are trademarks of General Electric Company. GE Healthcare, a division of General Electric Company. GE Medical Systems, Inc., doing business as GE Healthcare. DICOM is a trademark of National Electrical Manufacturers Association. Windows and Internet Explorer are a registered trademarks of Microsoft Corporation. All other third party trademarks are the property of their respective owners.

May 2020
JB48997XX(4)