

---

ATMOS iQam

# The intelligent endoscopic camera for ENT

---

*Exactly  
what  
I need*

---

# iQam

## The intelligent endoscopic camera

### Smart Adjust

- Auto Detect
- Auto Enhance
- Auto Center
- Auto Zoom

#### AUTOMATIC FUNCTIONS

- Recognition of connected endoscope type
- Setting of the required image parameters

#### CONTROL AND FEEDBACK ELEMENT

- Image or video recording at the touch of a finger
- Power feedback via LED and vibration
- HD videos and snapshots in 5MP quality



### Sensor Unit

#### CLEANING

- Removable camera cable
- Waterproof housing



### Comfort Clean

### Quick Lock

#### ENDOSCOPE MOUNTING

- One-handed operation
- Quick endoscope change

### Ergo Design

#### HOUSING

- High-quality materials
- Well-balanced shape
- Fatigue-free use thanks to the angled design

#### Info



#### ATMOS 360° diagnostics

ATMOS iQam is part of the ATMOS 360° diagnostics suite. Find more detailed information on our connectable all-in-one solution in the accompanying brochure.



ATMOS QuickLock

# Handling? Outstanding.

High daily caseloads and a fast pace are characteristic of the ENT outpatient environment. Maximizing the quality of patient care and provider workflow efficiency requires tools that are effortless to handle and use. The new ATMOS iQam endoscopic camera quickly adapts to changing needs in order to facilitate comprehensive endoscopic examinations. An example of this is the innovative coupler connecting mechanism: **ATMOS QuickLock.**

**Quick Lock**  
Endoscope mounting by clicking it on



### QUICK ENDOSCOPE CHANGE

The release lever on the coupler can be easily loosened with one finger, allowing for quick removal of endoscopes. New endoscopes are plugged directly into the coupler and create an automatic connection. Another unique feature of the ATMOS iQam: the endoscope coupler is permanently connected to the camera body, so the release lever always remains at a constant position and is easily accessible.

### INNOVATIVE ENDOSCOPE MOUNTING

From the outer ear and eardrum, to the nose and paranasal sinuses, to the pharynx and the vocal cords: the wide range of patient presentations in the ENT setting requires a variety of diagnostic evaluations, each having a specific endoscopic need.

### ENERGY-SAVING STANDBY MODE

When not in use, the ATMOS iQam automatically converts to energy-saving standby mode, indicated by a pulsing LED light on the camera head. To start it again, simply pick up the camera. The integrated motion sensor automatically switches the camera to active mode, which is confirmed to the user through an automatic visual and vibratory response.

To enable users to connect the right endoscope to the camera quickly, the new ATMOS iQam has an innovative mounting system: **ATMOS QuickLock.**

**ATMOS QuickLock** allows for easy, one-handed connection of the endoscope to the coupler, thus reducing equipment change and handling times to a minimum. The **ATMOS QuickLock** connection is compatible with all optics, from the smallest diameter sinuscope to 10 mm laryngoscopes.



A visual symbol appears when the energy-saving standby mode is activated



The device gives optical and haptic feedback when the active mode is reactivated

### CAMERA CABLE WITH USB CONNECTION

A camera cable with USB connector suitable for PC connection enables ENT users to use the camera on the go: all you need is a laptop or PC with the appropriate software.



ATMOS SmartAdjust

# Image adjustment? Fully automatic.

Similar to modern photo cameras, endoscopic cameras also require different settings for optimal imaging. Typically, the user is required to manually identify and select these settings, which can be complicated and time-consuming. With the new ATMOS iQam, the user is assisted by **ATMOS SmartAdjust**, which automatically detects the type of endoscope connected and sets all relevant parameters, saving time and ensuring optimal image quality.

### AUTOMATIC FUNCTIONS

The daily routine in the outpatient ENT clinic often involves frequent changing of endoscopes. As a result, images from different endoscopic evaluations are often not displayed in the correct size or position on the monitor. Unnatural color settings can further complicate the diagnostics. To address these issues, users have to regularly make manual adjustments to the settings on the camera and within their software, which can increase patient wait and treatment times.

The solution to this dilemma is **ATMOS SmartAdjust**. This exciting feature of the ATMOS iQam includes various automatic functions that ensure the user receives the perfect image on the monitor with every endoscope, every time, without the additional effort.



Time-saving, unique, automatic functions of the ATMOS iQam



**Smart Adjust**  
› Automatic recognition of the connected endoscope  
› Automatic setting of the required image parameters



### Auto Detect

#### ENDOSCOPE DETECTION

Whether it is a laryngoscope, sinuscope or otoscope, the ATMOS iQam recognizes the endoscope connected to it, calls up the appropriate profile, and carries out all subsequent settings automatically. The new ATMOS iQam comes with three profiles as standard: others can be added at any time if required.



small size endoscope detected



### Auto Enhance

#### SETTING THE IMAGE PARAMETERS

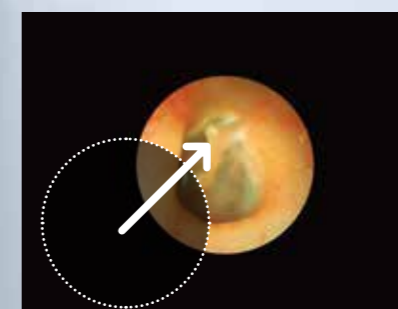
All color, sharpness, contrast, and exposure settings stored in the profile are automatically adjusted by the AUTO ENHANCE function. No additional effort is required of the user: he or she can fully concentrate on the patient.



### Auto Center

#### CENTERING THE IMAGE

In the event that the endoscope is mounted slightly offset in the camera and as a result the image is displayed offset on the screen, the AUTO CENTER function is there to help: it moves the picture back into the center of the monitor—all within a short time and without the user's intervention.



### Auto Zoom

#### ADJUSTING THE IMAGE SECTION

To ensure that the ENT user has an optimal view during the endoscopic examination, the ATMOS iQam enlarges the image section to the ideal size—automatically. So even with the smallest endoscopes, the monitor size is optimally utilized.



ATMOS SensorUnit

# Snapshot and video recording —at the touch of a finger.

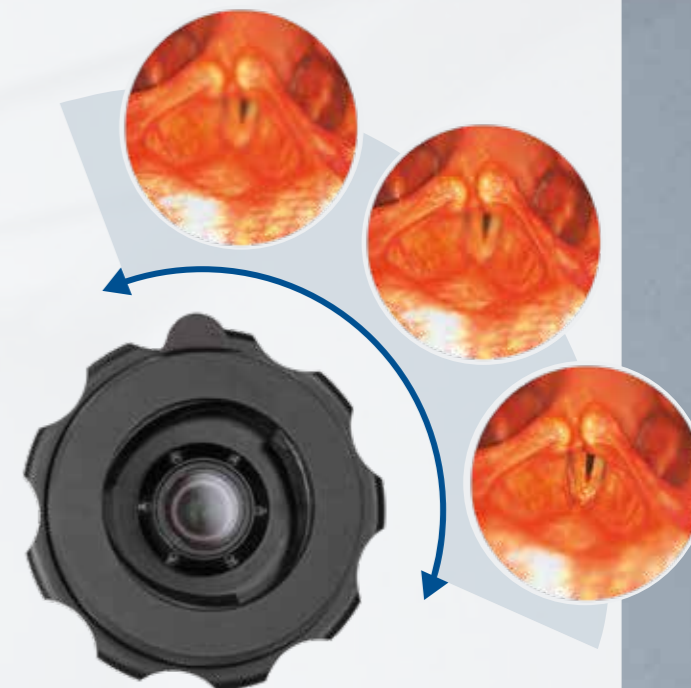
Usually, images and video recordings are made using one or more buttons on the camera. However, these buttons can rarely be used intuitively and are sometimes confusing depending on the model. To make matters worse, the camera is not the only device whose operating logic the user has to remember. To remedy this, we redesigned the operating concept of the ATMOS iQam. The result is the ATMOS SensorUnit, a multisensory control that opens completely new working possibilities for users.

**Sensor Unit**  
Simple snapshot and video recording



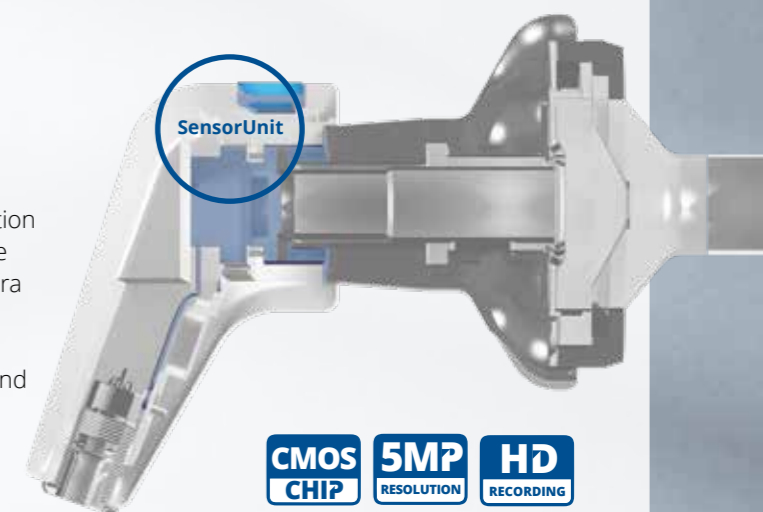
### ONE-HANDED SHIFT OF THE FOCAL PLANE

The smooth-running focusing ring **ATMOS FocalShift** can be operated with one finger and allows the user to move the focal plane during the examination as needed.



### CONTROL AND FEEDBACK ELEMENT

Thanks to the integrated motion sensor, the **ATMOS SensorUnit** allows you to start or stop snapshot or video recordings at the touch of a finger. Multisensory feedback via LED and vibration provide for additional operating safety. Thus, the user always knows exactly what mode the camera is in. Despite this significant time-saving design, there is no need to forego quality: the ATMOS iQam delivers flawless videos in HD resolution and detailed snapshots in 5MP quality.

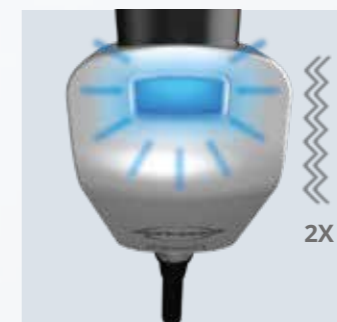


### FURTHER CONTROL OPTIONS

Snapshots and video recordings can also be controlled with a footswitch or directly via PC software.



**ACTIVATION**  
• LED is constantly lit in blue  
• Camera vibrates twice



**SNAPSHOT RECORDING**  
• LED flashes once in blue  
• Camera vibrates twice



**VIDEO RECORDING**  
• LED is constantly lit in red  
• Camera vibrates twice

## ATMOS ComfortClean

# Reprocessing? Easy.

Everything about the ATMOS iQam has been specially designed for daily use in ENT outpatient clinics. Its needs-oriented optics make the comprehensive and safe performance of common diagnostic tasks possible. And with regard to reprocessing, the ATMOS iQam scores with **ATMOS ComfortClean**.

## EASY AND SAFE CLEANING

Not only the handling and storage but also the reprocessing of medical devices is regulated by law. This is where another special feature of the ATMOS iQam comes into play, which makes time-saving and legally compliant cleaning possible: **ATMOS ComfortClean**.

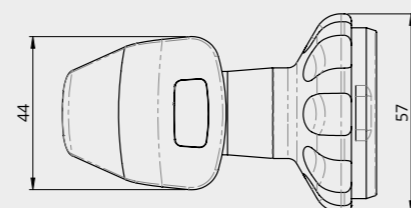
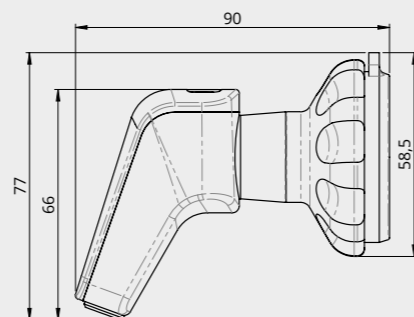
It all starts with the camera cable, which can be removed without tools. This feature simplifies all subsequent cleaning steps significantly. Next, the housing, made of high-quality and durable materials, can be safely cleaned with common cleaning agents, which further lightens the workload and provides additional safety.



## ERGONOMICALLY INTUITIVE TECHNOLOGY

The ATMOS iQam endoscopic camera contains exactly what users need to effectively and efficiently deal with the different requirements in highly frequented ENT outpatient clinics: nothing more, but also nothing less. It is comfortable to handle and produces no unpleasant heat even after several hours of use. The extensive range of accessories further lightens the workload and produces even better results.

Dimensions	90 x 57 x 77 (in mm)
Weight	approx. 180 g
Power consumption	2.5 W; 5 V
Connection	USB 2.0 or 7-pin round plug (ATMOS)
Image sensor	1/2.5" CMOS - 5 megapixel (2592 H x 1944 V)
Type of protection	IP 68
Product class	CE Class I (MDD 93/42/EEC)
Optic	f= 21 mm, apochromatic system



# Comfort Clean

Cleaning made easy

CHEMICAL  
RESISTANT

WATER  
PROOF



MedizinTechnik

**ATMOS MedizinTechnik GmbH & Co. KG**

Ludwig-Kegel-Str. 16  
79853 Lenzkirch  
Germany

Phone +49 (0)7653-689-0  
Fax +49 (0)7653-689-190  
E-Mail [atmos@atmosmed.de](mailto:atmos@atmosmed.de)

**[www.atmosmed.com](http://www.atmosmed.com)**